

# K52-29

TANTALUM WET-SLUG CAPACITOR

elecond-market@elcudm.ru

+7 (34147) 2-99-89

AZHYAR.673543.018 TU

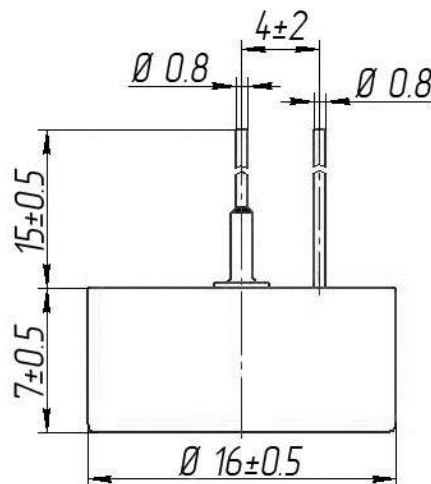


Polar, fixed capacitors sealed in tantalum cylindrically shaped case with radial leads. Capacitors are intended for operation in direct and pulse current circuits.

## MAIN PARAMETERS

Name	Value
Rated voltage, V	10...125
Rated capacitance, $\mu\text{F}$	215...10 000
Capacitance tolerance (25 °C, 50 Hz), %	$\pm 10$ ; $\pm 20$ ; $\pm 30$
Maximum operating temperature $T_{env}$ , °C	+125
Minimal operating temperature $T_{env}$ , °C	-60

## GENERAL VIEW DRAWING



## CAPACITORS OVERALL DIMENSIONS AND MASS

U <sub>R</sub> , V	10	16	25	30	35	50	60	75	100	125
C <sub>R</sub> , μF	<u>DxH, mm</u> mass, g									
215										$\frac{16 \times 7}{10}$
360									$\frac{16 \times 7}{10}$	
560								$\frac{16 \times 7}{10}$		
870							$\frac{16 \times 7}{10}$			
1500						$\frac{16 \times 7}{10}$				
2500					$\frac{16 \times 7}{10}$					
3000				$\frac{16 \times 7}{10}$						
3800			$\frac{16 \times 7}{10}$							
5000		$\frac{16 \times 7}{10}$								
10000	$\frac{16 \times 7}{10}$									

## CAPACITOR ELECTRIC PARAMETERS VALUE WHEN DELIVERED

U <sub>R</sub> , V	C <sub>R</sub> , μF	tg δ, %, max	I <sub>LEAK</sub> , μA, max	ESR, Ohm, max
10	10000	100	500	0.1
16	5000	100	400	0.2
25	3800	100	475	0.3
30	3000	100	450	0.4
35	2500	100	437.5	0.5
50	1500	100	375	0.6
60	870	100	261	0.7
75	560	100	210	0.8
100	360	100	180	1
125	215	100	134.3	1.2

## CAPACITORS RELIABILITY

Reliability Operation modes	Minimal nonfailure operating time, $t_{\lambda}$ , hours	Capacitor failure rate, $\lambda$ , 1/hour, max
Maximum-permissible mode ( $U_R$ , $T_{env}=85^{\circ}C$ )	5 000	$1 \times 10^{-6}$
Maximum-permissible mode ( $0.6U_R$ , $T_{env}=125^{\circ}C$ )	1 000	$1 \times 10^{-6}$
Light mode ( $0.6U_R$ , $T_{env}=60^{\circ}C$ )	150 000	$5 \times 10^{-8}$
Storageability Gamma-rated time of capacitor storageability $T_{cy}$ at $\gamma=97.5\%$ , years, min	30	

## EXAMPLE OF REFERENCE DESIGNATION FOR ORDERING

CAPACITOR K52-29 – 75V – 560 $\mu$ F  $\pm 10\%$  AZHYAR.673543.018 TU