

K52-24

TANTALUM WET-SLUG CAPACITOR

elecond-market@elcudm.ru

+7 (34147) 2-99-89

AZHYAR.673543.011 TU

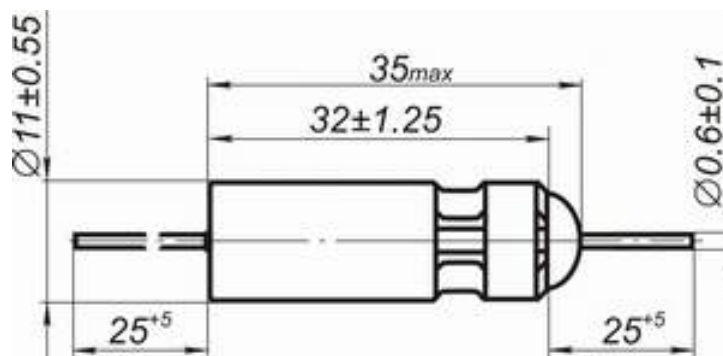


Polar sealed capacitors. Capacitors are used as pulse power supply in single and short-term use equipment and suitable for interspecific applications. Capacitors are allowed to operate from 133 Pa to 2.92×10^5 Pa

MAIN PARAMETERS

Name	Value
Rated voltage, V	16
Rated capacitance, μF	2 500
Capacitance tolerance (20 °C, 50 Hz), %	± 10 ; +20...0; +30...0
Temporary overvoltage within 10 sec., V	1.15 U_R
Maximum operating temperature T_{env} , °C	+85
Minimal operating temperature T_{env} , °C	-60

CAPASITOR PHYSICAL CONFIGURATION



CAPACITORS RELIABILITY

Reliability Operation modes	Minimal nonfailure operating time, t_{λ} , hours	Capacitor failure rate, λ , 1/hour, max
Maximum-permissible mode (U_R , $T_{env}=85$ °C)	10 000	5×10^{-5}
Light mode (U_R , $T_{env}=60$ °C)	50 000	2×10^{-6}
Storageability Gamma-rated time of capacitor storageability T_{cy} at $\gamma=97.5\%$, years, min	20	

CAPACITOR ELECTRIC PARAMETERS VALUE WHEN DELIVERED

U_R , V	C_R , μF	Mass, g, max	$\tan \delta$, %, 25 °C, 50 Hz, max	I_{LEAK} , μA , 25 °C, after 10 min., max	Z, Ohm, 25 °C, 10kHz, max	Capacitor charging time to $U_{CHARGING}=16$ V, $t_{CHARGING}$, msec
16	2 500	19.5	50	25	0.25	200

EXAMPLE OF REFERENCE DESIGNATION FOR ORDERING

CAPACITOR K52-24 – 16V – 2500 μF $\pm 10\%$ AZHYAR.673543.011 TU