

K50-105

ALUMINUM ELECTROLYTIC CAPACITOR

elecond-market@elcudm.ru

+7 (34147) 2-99-89

EVAYA.673541.065 TU



Capacitors are intended for operation in direct and pulse current circuits of secondary power supplies and converter equipment. The capacitor is available in boreal climate version. Polar. Sealed. In an insulated case with radial snap-in terminals.

MAIN PARAMETERS

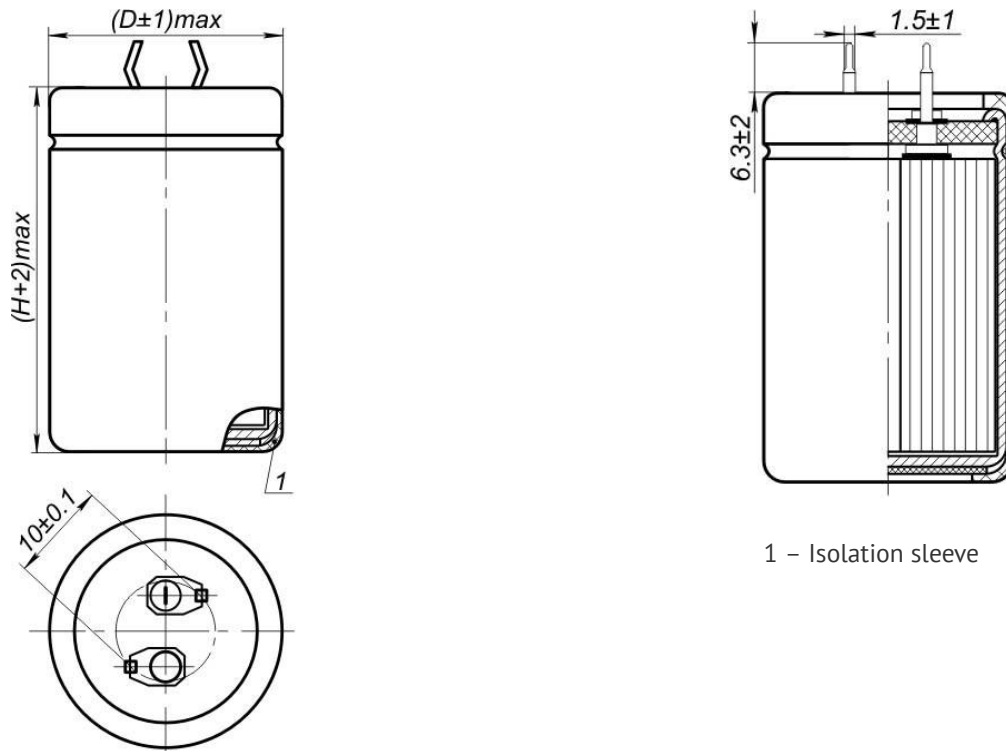
Name	Value
Rated voltage, V	400; 450
Rated capacitance, μF	120; 220; 330
Capacitance tolerance (25°C, 50 Hz), %	± 20
Maximum operating temperature T_{env} , °C	+85
Minimal operating temperature T_{env} , °C	-40

CAPACITORS RELIABILITY

Operating modes and conditions			λ , 1/hour, max
Mode type	Electrical mode	Environment temperature, °C	
Maximum permissible	$U_R, I_R, 120\text{Hz}$	85	2×10^{-4}

95% storability time of capacitors when stored under the conditions according to GOST 21493 must be 20 years.

GENERAL VIEW DRAWING



1 – Isolation sleeve

CAPACITORS OVERALL DIMENSIONS AND MASS

U_R, V	400	450
$C_R, \mu F$	$D \times H, mm$ mass, g	
120		<u>22x30</u> 35; <u>25x25</u> 30
220		<u>22x40</u> 45; <u>25x35</u> 40
330	<u>22x50</u> 48; <u>25x50</u> 52; <u>30x40</u> 50; <u>35x30</u> 60	

CAPACITOR ELECTRIC PARAMETERS VALUE

U_R, V	$C_R, \mu F$ T=20°C, F=100Hz	Dimension, DxHmm	tg $\delta, \%$ T=20°C, F=120Hz	$I_{LEAK}, \mu A$ T=20°C, after 5min.	ESR, mOhm T=20°C, F=100Hz	I_R, A T=85°C, F=120Hz
400	330	22x50	20	2 640	325	2.39
400	330	25x50	20	2 640	325	2.49
400	330	30x40	20	2 640	325	2.41
400	330	35x30	20	2 640	325	2.31
450	120	22x30	20	1 080	915	1.18
450	120	25x25	20	1 080	915	1.17
450	220	22x40	20	1 980	500	1.78
450	220	25x35	20	1 980	500	1.77

Ripple current effective value versus temperature and frequency can be found from the formula $I_{RIPPLE, A} = I_{R(120Hz, 85^\circ C)} \times K_{RT} \times K_{RF}$

K_{RT} - I_R CORRECTION FACTOR VERSUS TEMPERATURE

Tenv, °C	40	55	60	70	85
K_{RT}	2.0	1.7	1.6	1.4	1.0

K_{RF} - I_R CORRECTION FACTOR VERSUS FREQUENCY

F, Hz	50/60	120	300	1 000	> 10 000
K_{RF}	0.7	1.0	1.18	1.34	1.45

CODED SYMBOL FOR CAPACITORS (IDENTIFICATION NUMBER (PARTNUMBER))

CAPACITOR K50-105 – 400V – 330MF (±20)% – I - EVAYA.673541.065TU
(K50-105-Y-337M-D22H50-PET M-065)

1	2	3	4	5	6	7	8
Capacitor K50-105	400V	330μF	±20%	D=22mm	H=50mm	PET	EVAYA.673541.065TU
K50-105	Y	337	M	D22	H50	PETM	065

1. K50-105 - capacitor K50-105

2. Rated voltage code

Code	Y	U
U _R , V	400	450

3. Nominal capacity code

Code	127	227	337
C _R , μF	120	220	330

4. Capacity approval code

Code	M
Admittance, %	±20

5. Condenser diameter code

Code	D22	D25	D30	D35
Diameter, mm	22	25	30	35

6. Condenser Height Code

Code	H25	H30	H40	H50
Height, mm	25	30	40	50

7. Isolation code

Code	Decryption
PETM	Isolated, packed in a box for manual and mechanized assembly of equipment

8. Code TU

Code	TU designation
065	EVAYA.673541.065TU

EXAMPLE OF REFERENCE DESIGNATION FOR ORDERING

CAPACITOR K50-105 – 400V – 330 μ F \pm 20% – (22 \times 50) – I EVAYA.673541.065 TU